



The area of the Cornus basilicas

Patrimonio culturale
SARDEGNA Virtual Archaeology



■ Sarcophagi

There are several tomb types in the cemetery areas of Columbaris (figs. 1-2). Some going continuously from the IV to the VII century A.D., period during which the cemetery was used. Of the 157 tombs analysed there are 102 sarcophagi.

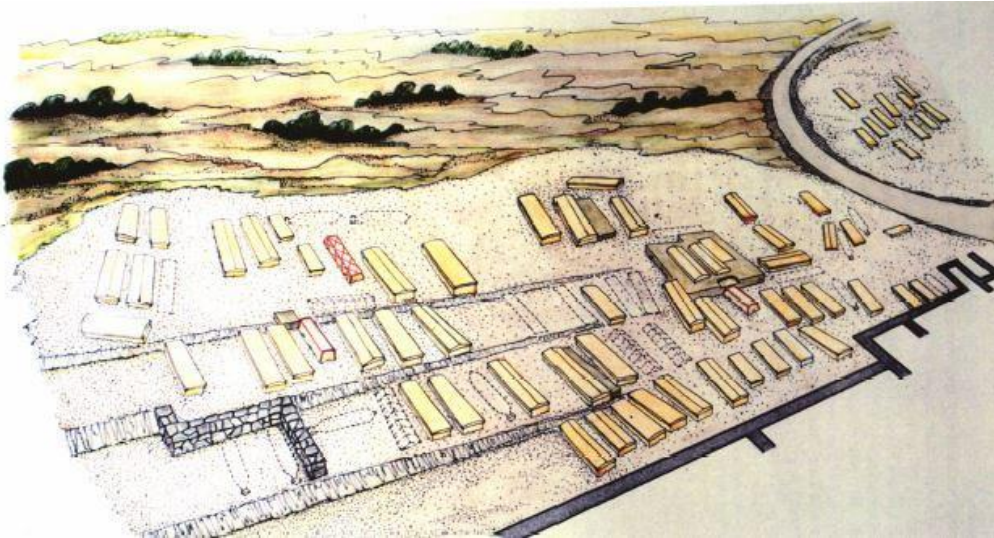


Fig. 1 - Reconstruction of the funeral area (from *Cornus* I.1, p. 203, Tab. IV).

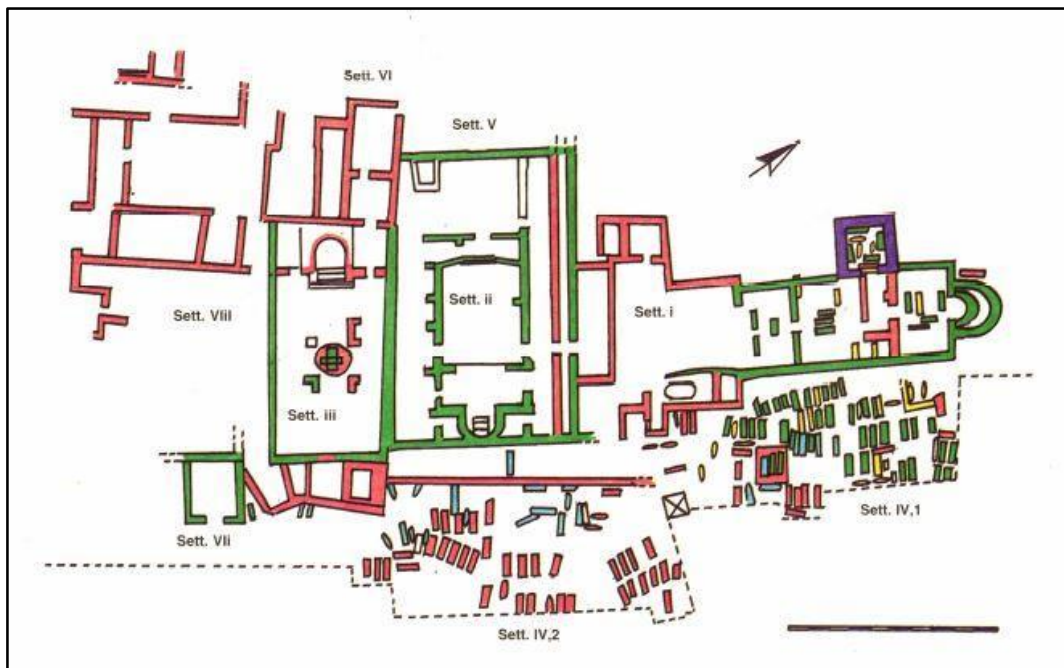


Fig. 2 - Map of the Columbaris-Cornus complex with indication of stages and sectors (drawing by L. SALADINO, M. C. SOMMA, from *Cornus* I.1, p. 200, tab. II).

The limestone monolithic caskets have certain details that make them stand out: the tank-shaped inner part, the presence of a slightly engraved cushion (t. 114) or with a hollow to hold the head (t. 38). The cover may have been flat (fig. 3a) or sloping (fig. 3B) especially in the sarcophagi in the southern area, from around the 5th century A.D. Those sarcophagi were often used in various ways.

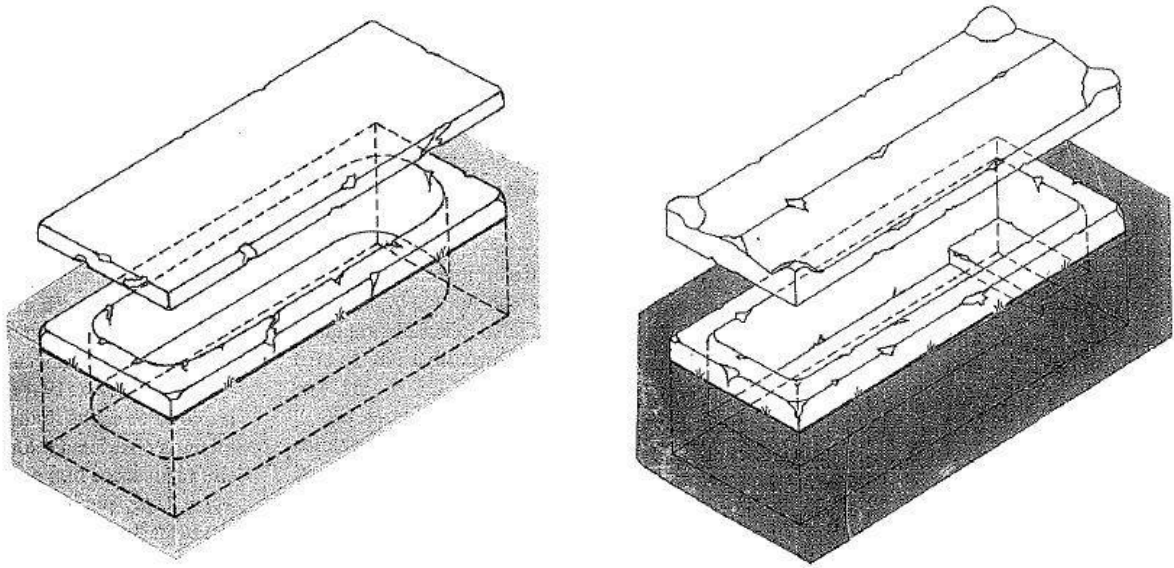


Fig. 3 a-b - Sarcophagus with flat, slightly ridged cover
(from *Cornus* 1.1, p. 216, fig. 86; p. 217, fig. 87).

In the Christian necropolis of Columbaris, along with capuchin tombs you also mainly have tombs dug into the rock directly, *enchytrismos*, at times surmounted by brick mounds flanked by small tables for the *refrigerium*. Sarcophagi also appeared during the area's maximum expansion period, alongside the other types. Between the end of the VI and the VII century A.D., especially in sector IV,2, you have burials in clay caskets or using stone pieces; some trapezoidal in shape, thus called anthropomorphic.

■ Credits

Deepening card edited by Dr. Claudia Cocco and Dr. Francesca Collu

■ Bibliographic abbreviations

AMANTE SIMONI C. AMANTE SIMONI, *I corredi*, in AMANTE SIMONI *et al.* 1987, pp. 83-1987b 86.

AMANTE SIMONI *et al.* C. AMANTE SIMONI, A. M. GIUNTELLA, L. PANI ERMINI, D. STIAFFINI, *Ricerche di archeologia post-classica nella Sardegna centro-medievale*, in QuadCa 4, II, 1987, pp. 79-103.

Cornus I.1 A. M. GIUNTELLA, *Cornus I.1. L'area cimiteriale orientale = Mediterraneo tardoantico e medievale. Scavi e ricerche*, 13. 1, Oristano 1999.

■ Periodicals and magazines

QuadCa *Quaderni della Soprintendenza Archeologica per le Province di Cagliari e Oristano*, Cagliari, I, 1986 e ss.



UNIONE EUROPEA



REPUBBLICA ITALIANA



REGIONE AUTÒNOMA DE SARDIGNA
REGIONE AUTONOMA DELLA SARDEGNA

La Sardegna cresce con l'Europa



UNIONE EUROPEA

Progetto cofinanziato dall'Unione Europea
Programma Operativo FESR 2007-2013

FESR - Fondo Europeo di Sviluppo Regionale - Asse I, Linea di Attività 1.2.3.a