



UNIONE EUROPEA



REPUBBLICA ITALIANA



REGIONE AUTÒNOMA DE SARDIGNA
REGIONE AUTONOMA DELLA SARDEGNA

The Castle della Fava

Patrimonio culturale
SARDEGNA Virtual Archaeology



■ Amphorae related to the Greek world (Punic Age)

The term "amphora" indicates a terracotta container with a tapered or globular shape, provided with two handles, used in antiquity to transport liquid (wine, oil) or solid (wheat or other grains) foodstuffs.

The only clue of the settlement's continuity of life from the Phoenician age to the subsequent Punic Age is given by a fragment (fig. 1) which belongs to the rim of an amphora from Chios. It may be dated to the period between the fifth century and the first half of the fourth century B.C. Inhabitation during the Punic Age is documented by more robust evidence: ancient Greek-Italic amphora fragments were found in the highest part of the cliff and in the old town of Posada (fig. 2).

These artefacts consist of parts of the enlarged and protruding rim and neck of the amphora; in one case, we still have the upper part of the neck with the attachments of the strap-shaped handles and with the clay cap still in its original position, presumably because of a subsequent reuse of the amphora (figs. 3-4). The fragments can probably be attributed to a production from southern Italy, dating back to the late fourth century and the beginning of the third century B.C.

Both the jugs from Chios and the Greek-Italic ones were used to contain and transport wine.



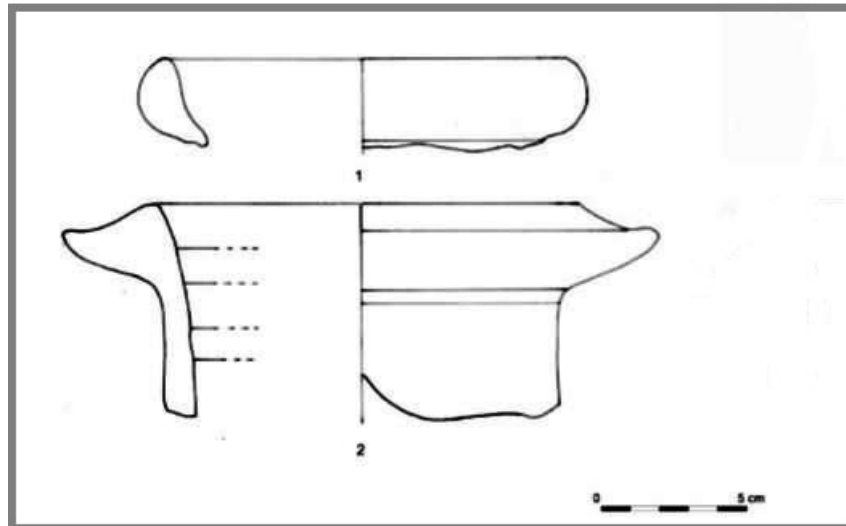


Fig. 1 - Fragment from a Chios amphora (from SANCIU 2012, fig. 4).

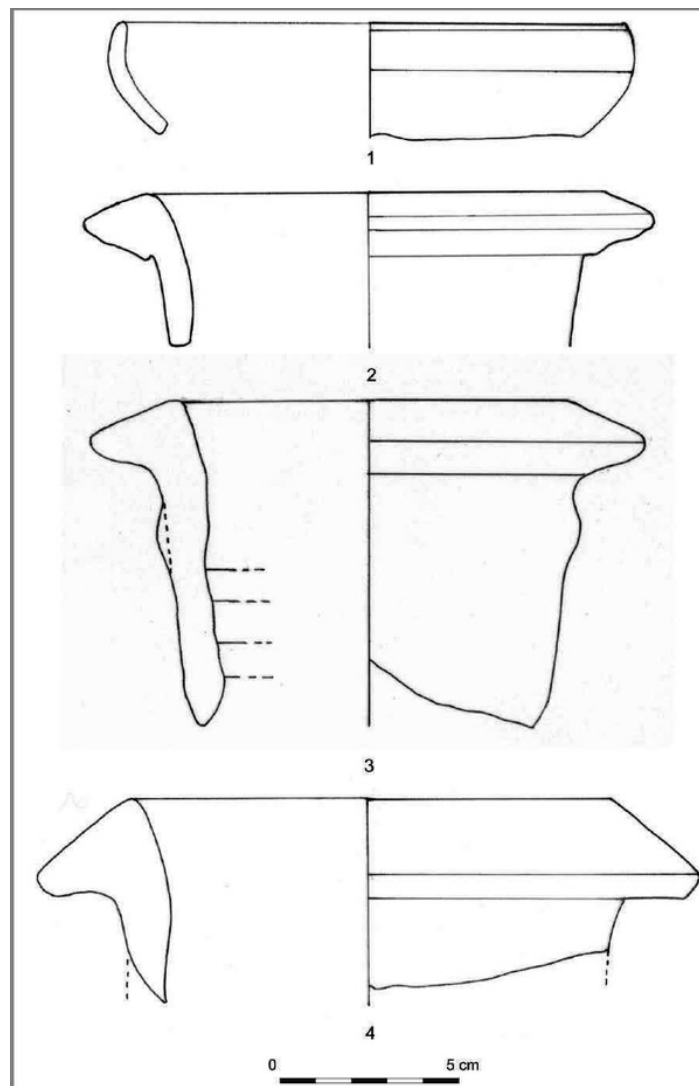


Fig. 2 - Fragments from ancient Greek-Italic amphorae (from SANCIU 2012, fig. 5).



Fig. 3 - Ancient Greek-Italic amphora with clay cap (from SANCIU 2012, fig. 5).





Fig. 4 - Greek-Italic amphora from the Ogliastra Sea (from SANCIU 2012 fig. 13).



■ Credits

Coordination Prof. Rossana Martorelli

Deepening card edited by Dr. Maria Grazia Arru and Dr. Enrico Dirminti

■ Bibliography

RAMON 1995 = J. RAMON TORRES, *Las ánforas fenicio-púnicas del Mediterráneo central y occidental*, Barcelona 1995.

SANCIU 2010 = A. SANCIU, *Fenici lungo la costa orientale sarda. Nuove acquisizioni. Fasti On Line Documents & Research* 174, 2010.

SANCIU 2011a = A. SANCIU, *Nuove testimonianze di età punica da Posada e dalla Sardegna centro-orientale. Sardinia, Corsica et Baleares Antiquae*, IX, pp. 51-58.

SANCIU 2011b = A. SANCIU, *Posada. Centro storico. Recupero di materiali archeologici. Eren-zias. Rivista della Soprintendenza per i Beni Archeologici per le province di Sassari e Nuoro*, I, pp. 376-377.

SANCIU 2012 = A. SANCIU, *Nuove testimonianze d'età fenicia e punica dalla costa centro-orientale sarda. ArcheoArte. Rivista elettronica di Archeologia e Arte*, Supplemento 2012 al numero 1, pp. 167-182.





UNIONE EUROPEA



REPUBBLICA ITALIANA



REGIONE AUTÒNOMA DE SARDIGNA
REGIONE AUTONOMA DELLA SARDEGNA

La Sardegna cresce con l'Europa



UNIONE EUROPEA

Progetto cofinanziato dall'Unione Europea
Programma Operativo FESR 2007-2013

FESR - Fondo Europeo di Sviluppo Regionale - Asse I, Linea di Attività 1.2.3.a