



UNIONE EUROPEA



REPUBBLICA ITALIANA



REGIONE AUTÒNOMA DE SARDIGNA
REGIONE AUTONOMA DELLA SARDEGNA

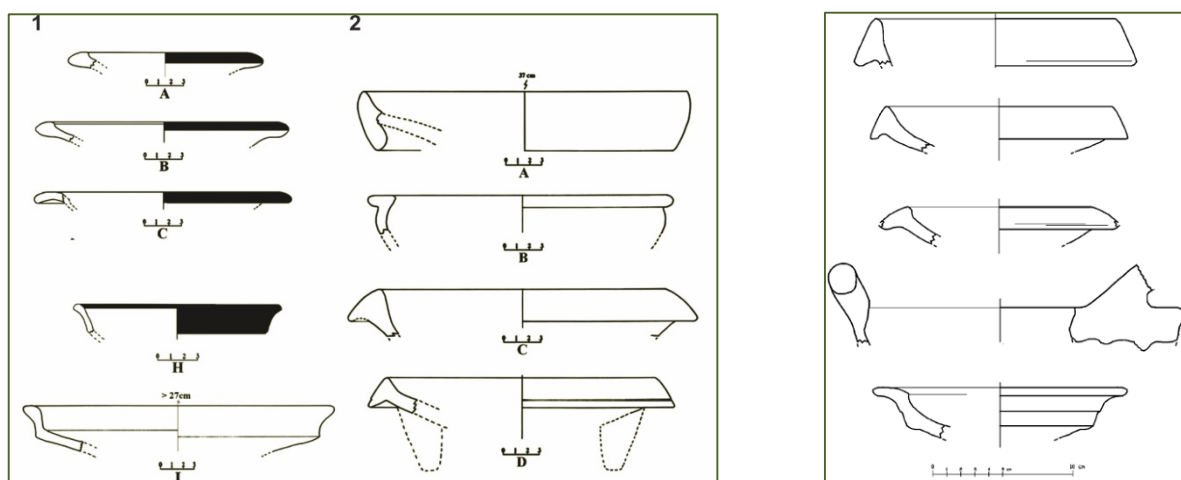
Archaeological area of Mount Sirai

Patrimonio culturale
SARDEGNA Virtual Archaeology



■ Older Phoenician Ceramics

There is a very ancient phase of Monte Sirai, the second half of the 8th century BC: as we currently know, there are no buildings or tombs dating to this period; however, documentation on findings, in particular pottery, that can be dated to the second half of the 8th century BC and the middle of the next century are growing as searches continue, and are spread around the area (figs. 1-2).



Figs. 1, 2 - Forms from the second half of the 8th - mid 7th century B.C. from Monte Sirai (GUIRGUIS, PLA ORQUIN 2011, figs. 5-6) and from Sirimagus (FINOCCHI 2005, fig. 19).

These ceramic items are related to the chronology of other items such as the Nuragic bronze statue, the Phoenician bronze statues, and if dated at a late stage, the statue of Astarte, or with the nuraghe which was still a meeting place, an expression of a new settlement reality that came about through the meeting of the Sulky Phoenicians and the traditional Nuragic world (fig. 3). These are phases that have preceded the items found in the Phoenician tombs of the 7th-6th centuries BC. (fig. 4).



Figs. 3, 4 - Materials from the temple of Astarte (GUIRGUIS 2013, figs. 5-6); Phoenician ceramics from the end of the 7th - end of the 6th century B.C. From the ancient tombs of Monte Sirai (GUIRGUIS, POMPIANU, UNALI 2012 table 17).

Generally the typical Phoenician ceramics of these ancient temples are *oinochoe*, or jugs with mushroom edge and various types of lips, often red slip ware, or with shiny red glaze, in addition to painted plates, tripods, cups and oil lamps.

■ Credits

Deepening card edited by Dr. Giuseppina Manca di Mores and Prof. Marcello Madau

■ Bibliography

FINOCCHI 2005 = S. FINOCCHI, *Ricognizione nel territorio di Monte Sirai*, in *RStudFen*, 33, pp. 225-260.

GUIRGUIS 2013 = M. GUIRGUIS, *Monte Sirai 1963-2013 mezzo secolo di indagini archeologiche*, Sassari.

GUIRGUIS, PLA ORQUIN 2011 = M. GUIRGUIS, R. PLA ORQUIN, *L'acropoli di Monte Sirai: notizie preliminari dallo scavo del 2010*, in M.B. COCCO, A. GAVINI, A. IBBA (a cura di), *L'Africa Romana - Trasformazione dei paesaggi del potere nell'Africa settentrionale fino alla fine del mondo antico*, Atti del XIX convegno di studio, Sassari, 16-19 dicembre 2010, pp. 2863-2867.

GUIRGUIS, POMPIANU, UNALI 2012 = M. GUIRGUIS, E. POMPIANU, A. UNALI (a cura di), *Summer School di Archeologia fenicio-punica, Atti 2011* (Quaderni di Archeologia Sulcitana, 1), Sassari.





UNIONE EUROPEA



REPUBBLICA ITALIANA



REGIONE AUTÒNOMA DE SARDIGNA
REGIONE AUTONOMA DELLA SARDEGNA

La Sardegna cresce con l'Europa



UNIONE EUROPEA

Progetto cofinanziato dall'Unione Europea
Programma Operativo FESR 2007-2013

FESR - Fondo Europeo di Sviluppo Regionale - Asse I, Linea di Attività 1.2.3.a